



Backward curved centrifugal fan

The utilized backward curved impeller radial fans are insensitive to soiling and have a high efficiency.

- Backward curved centrifugal fan
- Speed controllable
- Integrated thermal switch
- Maintenance-free ball bearings



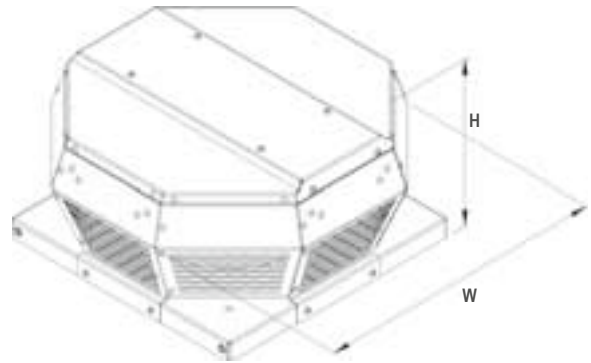
Bird and shock protection

The outlet protection grille decreases soiling through leaves and birds.

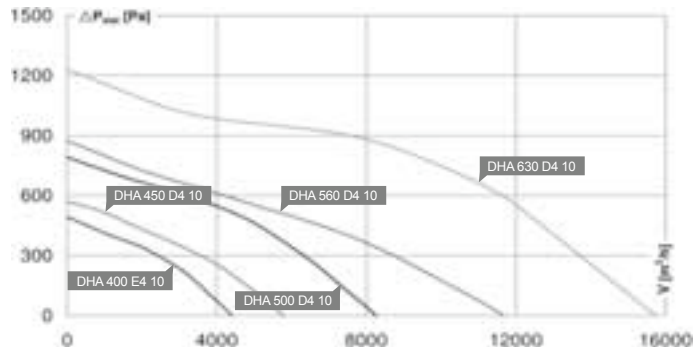
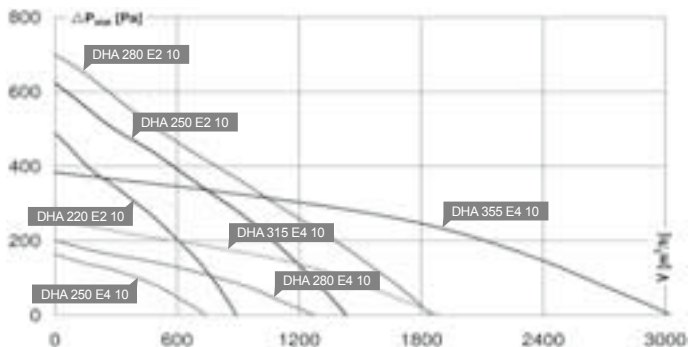


High quality housing

The housing is elegant and solidly manufactured.



Type	ID	U	f	L _{WA2/LWA6}	L _{WA5}	η _{fa}	η _t	W	H	Weight	Wiring diagram
		[V]	[Hz]	[dB (A)]	[dB (A)]	[%]	[%]	[mm]	[mm]	[kg]	
DHA 220 E2 10	123766	230V ~	50	71	67	29,9	30,1	388	190	5,0	116450
DHA 250 E4 10	123768	230V ~	50	61	56	18,1	18,5	388	190		116450
DHA 250 E2 10	123816	230V ~	50	77	71	32,5	33,2	388	190	6,3	116450
DHA 280 E4 10	123960	230V ~	50	65	59	25,4	25,9	541	249		116450
DHA 280 E2 10	123770	230V ~	50	72	69	31,3	31,6	541	249		116450
DHA 315 E4 10	123772	230V ~	50	65	61	34,7	35,8	541	249		116450
DHA 355 E4 10	123774	230V ~	50	68	64	40,2	40,4	745	333	19,5	124440
DHA 400 E4 10	123776	230V ~	50	70	65	44,6	45,1	745	333	20,0	124440
DHA 450 D4 10	123384	400V 3~	50	73	68	43,1	43,8	860	418		124438
DHA 500 D4 10	123386	400V 3~	50	78	74	51,9	53,1	860	418	40,0	124438
DHA 560 D4 10	123392	400V 3~	50	77	73	45,7	46,2	1165	527		124438
DHA 630 D4 10	123394	400V 3~	50	87	84	55,2	55,7	1165	527		124438



	EUR	EUR	EUR	EUR	EUR	EUR		
MDAS	DHA 250 E4 10 ID 123768	265,-	DHA 280 E4 10 ID 123960	365,-	DHA 315 E4 10 ID 123772	425,-	DHA 355 E4 10 ID 123774	830,-
	230V ~/50Hz 50 °C 740 m³/h 61 W 0,4 A 56/61/- db(A)		230V ~/50Hz 70 °C 1270 m³/h 86 W 0,4 A 59/65/- db(A)		230V ~/50Hz 70 °C 1890 m³/h 125 W 0,6 A 61/65/- db(A)		230V ~/50Hz 60 °C 3030 m³/h 290 W 2,1 A 64/68/- db(A)	
	TEE 015 ID 115893 TES 0145 ID 111858 GS 01 ID 102787	143,- 48,- 60,-	TEE 015 ID 115893 TES 0145 ID 111858 GS 01 ID 102787	143,- 48,- 60,-	TEE 015 ID 115893 TES 0145 ID 111858 GS 01 ID 102787	143,- 48,- 60,-	TEM 035 ID 103502 TES 035 ID 103954 GS 01 ID 102787	210,- 80,- 60,-
MDAS	DHA 220 E2 10 ID 123766	235,-	DHA 250 E2 10 ID 123816	265,-	DHA 280 E2 10 ID 123770	365,-		
	230V ~/50Hz 60 °C 890 m³/h 110 W 0,6 A 67/71/- db(A)		230V ~/50Hz 50 °C 1430 m³/h 210 W 1,0 A 71/77/- db(A)		230V ~/50Hz 70 °C 1850 m³/h 280 W 1,3 A 69/72/- db(A)			
	TEE 015 ID 115893 TES 0145 ID 111858 GS 01 ID 102787	143,- 48,- 60,-	TEE 015 ID 115893 TES 0145 ID 111858 GS 01 ID 102787	143,- 48,- 60,-	TEE 015 ID 115893 TES 0145 ID 111858 GS 01 ID 102787	143,- 48,- 60,-		



Specific Accessories
For details see page: 134

MYMDF	DSF 220 ID 109552	128,-	DSF 220 ID 109552	128,-	DSF 280 ID 109593	164,-	DSF 280 ID 109593	164,-	DSF 355 ID 109619	212,-
MYMDS	DSS 220 ID 111323	232,-	DSS 220 ID 111323	232,-	DSS 280 ID 111352	266,-	DSS 280 ID 111352	266,-	DSS 355 ID 111353	380,-
MYMDA	DAF 180 ID 110744	12,-	DAF 180 ID 110744	12,-	DAF 250 ID 110585	19,-	DAF 250 ID 110585	19,-	DAF 400 ID 109826	31,-
MYMDN	DAS 180 ID 110745	62,-	DAS 180 ID 110745	62,-	DAS 250 ID 109413	85,-	DAS 250 ID 109413	85,-	DAS 400 ID 109827	94,-
MYMDV	DVK 180 ID 104800	48,-	DVK 180 ID 104800	48,-	DVK 250 ID 109233	71,-	DVK 250 ID 109233	71,-	DVK 400 ID 109213	77,-

Flat Roof Socket

Socket Silencer

Inlet Flange

Inlet Collar

Shutter automatic
Automatic



	EUR	EUR	EUR	EUR	EUR	EUR				
MDAS	DHA 400 E4 10 ID 123776	860,-	DHA 450 D4 10 ID 123384	1020,-	DHA 500 D4 10 ID 123386	1270,-	DHA 560 D4 10 ID 123392	1550,-	DHA 630 D4 10 ID 123394	2510,-
	230V ~/50Hz 60 °C 4390 m³/h 430 W 2,4 A 65/70/- db(A)		400V 3~/50Hz 55 °C 5790 m³/h 640 W 1,3 A 68/73/- db(A)		400V 3~/50Hz 60 °C 8260 m³/h 1.170 W 2,5 A 74/78/- db(A)		400V 3~/50Hz 50 °C 11670 m³/h 1.790 W 3,6 A 73/77/- db(A)		400V 3~/50Hz 60 °C 15740 m³/h 3.660 W 8,5 A 84/87/- db(A)	
	TEM 035 ID 103502 TES 035 ID 103954 GS 01 ID 102787	210,- 80,- 60,-	TDM 025 ID 107628 TDS 025 ID 113663 GS 03 ID 107633	360,- 155,- 60,-	TDM 025 ID 107628 TDS 025 ID 113663 GS 03 ID 107633	360,- 155,- 60,-	TDM 040 ID 111556 TDS 040 ID 113666 GS 03 ID 107633	430,- 196,- 60,-	TDM 110 ID 111559 TDS 110 ID 113670 GS 03 ID 107633	950,- 390,- 60,-



Specific Accessories
For details see page: 134

MYMDF	DSF 355 ID 109619	212,-	DSF 450 ID 109784	224,-	DSF 450 ID 109784	224,-	DSF 560 ID 122314	380,-	DSF 560 ID 122314	380,-
MYMDS	DSS 355 ID 111353	380,-	DSS 450 ID 111354	420,-	DSS 450 ID 111354	420,-	DSS 560 ID 122313	590,-	DSS 560 ID 122313	590,-
MYMDA	DAF 400 ID 109826	31,-	DAF 400 ID 109826	31,-	DAF 400 ID 109826	31,-	DAF 560 ID 122288	45,-	DAF 560 ID 122288	45,-
MYMDN	DAS 400 ID 109827	94,-	DAS 400 ID 109827	94,-	DAS 400 ID 109827	94,-	DAS 560 ID 122287	108,-	DAS 560 ID 122287	108,-
MYMDV	DVK 400 ID 109213	77,-	DVK 400 ID 109213	77,-	DVK 400 ID 109213	77,-	DVK 560 ID 122289	152,-	DVK 560 ID 122289	152,-

Flat Roof Socket

Socket Silencer

Inlet Flange

Inlet Collar

Shutter automatic
Automatic

