



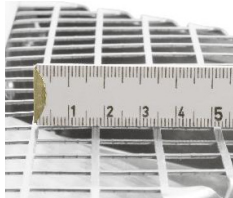
Vertical air discharge

The vertical air discharge minimizes roof soiling. Furthermore, the noise break out is noticeably lower than horizontal discharge roof fans.

Backward curved radial fan

The utilized backward curved impeller radial fans are insensitive to soiling and have a high efficiency.

- Backward curved centrifugal fan
- Voltage controllable
- Integrated thermal contact
- Maintenance-free, long-life ball bearings
- Housing external parts are made from saltwater-proof aluminium



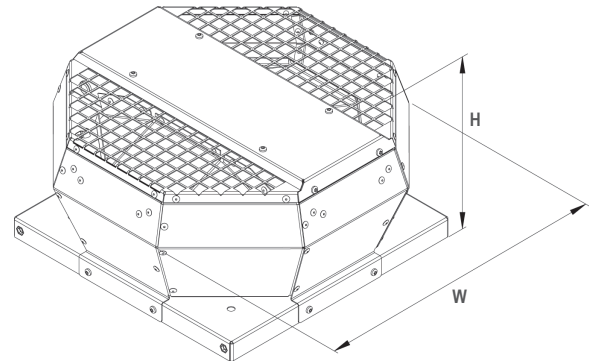
Bird and shock protection

The outlet protection grille decreases soiling through leaves and birds.

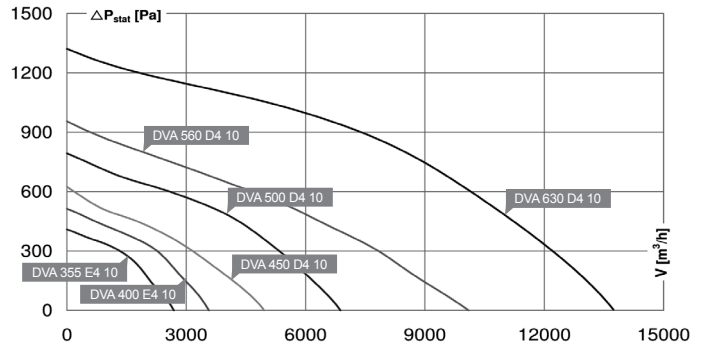
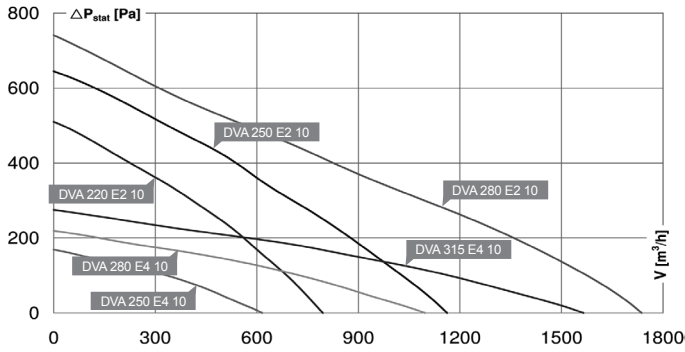


High quality housing

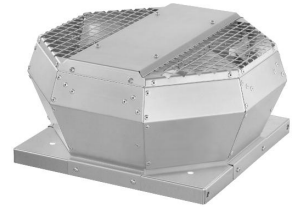
The housing is elegant and solidly manufactured.



Type	ID	U [V]	f [Hz]	L _{WA2} /L _{WA6} [dB (A)]	L _{WA5} [dB (A)]	η _{fa} [%]	η _t [%]	W [mm]	H [mm]	Weight [kg]	Wiring diagram
DVA 220 E2 10	123753	230V ~	50	67	66	30,5	31,1	388	190	5,2	116450
DVA 250 E4 10	123755	230V ~	50	58	56	14,7	15,4	388	190	5,8	116450
DVA 250 E2 10	123811	230V ~	50	74	70	30,0	30,6	388	190	6,4	116450
DVA 280 E4 10	123956	230V ~	50	61	57	24,5	24,9	541	249		116450
DVA 280 E2 10	123757	230V ~	50	73	70	31,7	32,3	541	249	8,6	116450
DVA 315 E4 10	123759	230V ~	50	65	61	29,1	34,2	541	249	8,6	116450
DVA 355 E4 10	123761	230V ~	50	65	62	40,3	40,9	745	333	18,7	124440
DVA 400 E4 10	123763	230V ~	50	69	65	41,9	42,7	745	333	19,3	124440
DVA 450 D4 10	123382	230V ~	50	70	66	42,4	42,8	860	418	28,0	124438
DVA 500 D4 10	123370	400V 3~	50	76	71	46,3	46,9	860	418	35,0	124438
DVA 560 D4 10	123388	400V 3~	50	75	72	45,6	46,1	1165	527	68,0	124438
DVA 630 D4 10	123390	400V 3~	50	83	79	51,6	52,2	1165	527		124438



	EUR	EUR	EUR	EUR	EUR
MDS	DVA 250 E4 10 ID 123755 230V ~/50Hz 50 °C 620 m³/h 61 W 0,4 A 56/58/- db(A)	280,-	DVA 280 E4 10 ID 123956 230V ~/50Hz 70 °C 1100 m³/h 82 W 0,4 A 57/61/- db(A)	380,-	DVA 315 E4 10 ID 123759 230V ~/50Hz 70 °C 1570 m³/h 124 W 0,6 A 61/65/- db(A)
	TEE 015 ID 115893 143,- TES 0145 ID 111858 48,- GS 01 ID 102787 60,-		TEE 015 ID 115893 143,- TES 0145 ID 111858 48,- GS 01 ID 102787 60,-		TEE 015 ID 115893 143,- TES 0145 ID 111858 48,- GS 01 ID 102787 60,-
MDS	DVA 220 E2 10 ID 123753 230V ~/50Hz 60 °C 800 m³/h 110 W 0,6 A 66/67/- db(A)	250,-	DVA 250 E2 10 ID 123811 230V ~/50Hz 55 °C 1160 m³/h 200 W 0,9 A 70/74/- db(A)	280,-	DVA 280 E2 10 ID 123757 230V ~/50Hz 65 °C 1740 m³/h 280 W 1,3 A 70/73/- db(A)
	TEE 015 ID 115893 143,- TES 0145 ID 111858 48,- GS 01 ID 102787 60,-		TEE 015 ID 115893 143,- TES 0145 ID 111858 48,- GS 01 ID 102787 60,-		TEE 015 ID 115893 143,- TES 0145 ID 111858 48,- GS 01 ID 102787 60,-



Specific Accessories
For details see page: 134

MYMDF	DSF 220 ID 109552	128,-	DSF 220 ID 109552	128,-	DSF 280 ID 109593	164,-	DSF 280 ID 109593	164,-	DSF 355 ID 109619	212,-
MYMDS	DSS 220 ID 111323	232,-	DSS 220 ID 111323	232,-	DSS 280 ID 111352	266,-	DSS 280 ID 111352	266,-	DSS 355 ID 111353	380,-
MYMDA	DAF 180 ID 110744	12,-	DAF 180 ID 110744	12,-	DAF 250 ID 110585	19,-	DAF 250 ID 110585	19,-	DAF 400 ID 109826	31,-
MYMDN	DAS 180 ID 110745	62,-	DAS 180 ID 110745	62,-	DAS 250 ID 109413	85,-	DAS 250 ID 109413	85,-	DAS 400 ID 109827	94,-
MYMDV	DVK 180 ID 104800	48,-	DVK 180 ID 104800	48,-	DVK 250 ID 109233	71,-	DVK 250 ID 109233	71,-	DVK 400 ID 109213	77,-

Flat Roof Socket



Socket Silencer



Inlet Flange



Inlet Collar



Shutter automatic
Automatic



	EUR	EUR	EUR	EUR	EUR
MDS	DVA 400 E4 10 ID 123763 230V ~/50Hz 60 °C 3570 m³/h 440 W 2,4 A 65/69/- db(A)	880,-	DVA 450 D4 10 ID 123382 400V 3~/50Hz 60 °C 4960 m³/h 610 W 1,3 A 66/70/- db(A)	1050,-	DVA 500 D4 10 ID 123370 400V 3~/50Hz 60 °C 6880 m³/h 1.140 W 2,5 A 71/76/- db(A)
	TEM 035 ID 103502 210,- TES 035 ID 103954 80,- GS 01 ID 102787 60,-		TDM 025 ID 107628 360,- TDS 025 ID 113663 155,- GS 03 ID 107633 60,-		TDM 025 ID 107628 360,- TDS 025 ID 113663 155,- GS 03 ID 107633 60,-
	DVA 560 D4 10 ID 123388 400V 3~/50Hz 50 °C 10100 m³/h 1.760 W 3,6 A 72/75/- db(A)	1600,-	DVA 630 D4 10 ID 123390 400V 3~/50Hz 55 °C 13740 m³/h 3.630 W 8,5 A 79/83/- db(A)	2560,-	
	TDM 040 ID 111556 430,- TDS 040 ID 113666 196,- GS 03 ID 107633 60,-		TDM 110 ID 111559 950,- TDS 110 ID 113670 390,- GS 03 ID 107633 60,-		



Specific Accessories
For details see page: 134

MYMDF	DSF 355 ID 109619	212,-	DSF 450 ID 109784	224,-	DSF 450 ID 109784	224,-	DSF 560 ID 122314	380,-	DSF 560 ID 122314	380,-
MYMDS	DSS 355 ID 111353	380,-	DSS 450 ID 111354	420,-	DSS 450 ID 111354	420,-	DSS 560 ID 122313	590,-	DSS 560 ID 122313	590,-
MYMDA	DAF 400 ID 109826	31,-	DAF 400 ID 109826	31,-	DAF 400 ID 109826	31,-	DAF 560 ID 122288	45,-	DAF 560 ID 122288	45,-
MYMDN	DAS 400 ID 109827	94,-	DAS 400 ID 109827	94,-	DAS 400 ID 109827	94,-	DAS 560 ID 122287	108,-	DAS 560 ID 122287	108,-
MYMDV	DVK 400 ID 109213	77,-	DVK 400 ID 109213	77,-	DVK 400 ID 109213	77,-	DVK 560 ID 122289	152,-	DVK 560 ID 122289	152,-

Flat Roof Socket



Socket Silencer



Inlet Flange



Inlet Collar



Shutter automatic
Automatic

